

# WorldWEIGH

## BWS WEIGHT INDICATOR



## iWEIGH

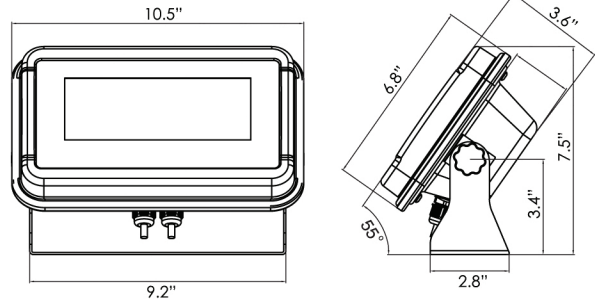
WorldWEIGH BWS indicator is ideal for general weighing and simple checkweighing applications. The BWS features a stainless steel housing and swivel bracket along with a large 2-inch backlit LCD display, raised tactile buttons, built-in rechargeable battery, and simple operation. The BWS is the right solution for your weighing applications that require a rugged and versatile indicator with an affordable price point.

# BWS WEIGHT INDICATOR

# WorldWEIGH

## MAIN FEATURES

- NTEP Approved: 12-091
- Durable, stainless steel enclosure
- Swivel bracket for desk or wall mounting
- Six-digit, seven-segment LCD display with 2-inch digit height
- High contrast white LED backlight
- Built-in rechargeable battery
- Power to drive up to four 350 ohm load cells
- Checkweighing function and annunciator lights
- Bi-directional RS232C serial data port
- Simple parameter setup and intuitive menu structure
- AC adapter and built-in rechargeable lead-acid battery



**DISPLAYED RESOLUTION:** 1:30,000 max

**WEIGHING UNITS:** lb, kg

**OVERALL DIMENSIONS:** (W x D x H) 10.5 x 3.6 x 6.8 in / 266 x 92 x 172 mm

**OPERATING TEMPERATURE RANGE:** 14° to 104° F / -10° to 40° C

**POWER:** AC wall adapter or internal rechargeable battery

**BATTERY:** Sealed lead-acid battery (90-hour typical operation with full charge)

WorldWEIGH is offered in the USA exclusively through: B-TEK Scales, LLC  
1510 Metric Ave SW Canton, Ohio 44706 • 800.266.8900 • fax: 330.471.8909  
www.B-TEK.com • sales@B-TEK.com

