

RL101 Scale

COMPACT DIGITAL BELOW-THE-HOOK SCALE



RICE LAKE[®]
WEIGHING SYSTEMS

800-472-6703

www.ricelake.com

RL101 Scale

COMPACT DIGITAL BELOW-THE-HOOK SCALE

Compact Digital Below-the-hook Scale

The easy-to-use RL101 below-the-hook (BTH) digital scale is ideal for overhead weighing in industrial environments. This reliable BTH scale is fitted with an infrared remote control which can be configured as a remote keypad. The infrared remote control can be used at a distance up to 25 feet.

This compact BTH scale reduces the lifting distance for increased safety. Manufactured in strict compliance with the highest safety standards, the RL101 scale continues to sustain a 5:1 Ultimate Safety Factor.

Ensuring operators can view weight in any lighting condition, the RL101 has a vibrant, LCD backlit display. A five-key waterproof keypad allows for easy zero, tare, mode, print and on/off controls. The RL101 comes in a sturdy transport case for extra protection.

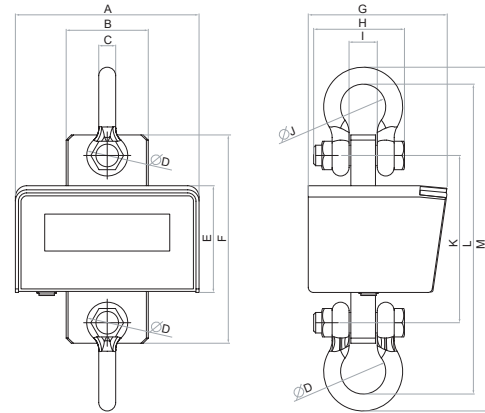


STANDARD FEATURES

- Low headroom (14.5 in - 16.65 in)
- Infrared remote control (up to 25 ft)
- Carrying case
- Single and multi-point calibration
- Upper and lower shackles
- Lift and weigh*

SPECIFICATIONS

ACCURACY:	+/- 0.03% of capacity
RESOLUTION:	3,000d standard
MULTI-RANGE:	0-600 × 0.2 lb; 601-1500 × 0.5 lb; 1501-3000 × 1 lb 0-1500 × 0.5 lb; 1501-3000 × 1 lb; 3002-6000 × 2 lb 0-3000 × 1 lb, 3002-6000 × 2 lb, 6005-12,000 × 5 lb
ENCLOSURE:	IP54, oven-fired painted steel
SHACKLES:	Forged, alloy steel (6:1 safety factor)
DESIGN OVERLOAD:	150% Safe / 500% Ultimate
FUNCTIONS:	5-Key - Zero, Tare, Mode, Print, On/OFF
DISPLAY:	1 in (25 mm) backlight, LCD
DISPLAYABLE UNITS:	Pounds and kilograms, selectable
ANNUNCIATORS:	CO2, Net, Gross, Low Batt, lb/kg/t, Motion, Active Weight Range, Tare
POWER:	4 "AA" batteries (supplied)
OPERATING TIME:	Up to 40 hours, standard configuration
TEMPERATURE RANGE:	Operating: 14° F to 104° F (-10° C to 40° C)
AUTO-OFF MODE:	Off, 1-minute intervals (programmable)
FILTERING:	Various: Overhead weighing-dYn.0, dYn.1, dYn.2, dYn.3
WARRANTY:	One-year limited



DIMENSION TABLE

	A	B	C	D	E	F	G	H	I	J	K	L	M
3k	7.09 in (180 mm)	3.15 in (80 mm)	0.63 in (16 mm)	1.58 in (40 mm)	4.10 in (104 mm)	9.67 in (246 mm)	5.35 in (136 mm)	3.48 in (88.5 mm)	1.07 in (27 mm)	1.70 in (43 mm)	7.72 in (196 mm)	13.19 in (335 mm)	14.49 in (368 mm)
6k	7.09 in (180 mm)	3.15 in (80 mm)	0.87 in (22 mm)	2.17 in (55 mm)	4.10 in (104 mm)	9.67 in (246 mm)	5.35 in (136 mm)	4.76 in (121 mm)	1.46 in (37 mm)	2.28 in (58 mm)	7.32 in (186 mm)	14.92 in (379 mm)	16.65 in (423 mm)
12K	7.09 in (180 mm)	3.15 in (80 mm)	0.87 in (22 mm)	2.17 in (55 mm)	4.10 in (104 mm)	9.67 in (246 mm)	5.35 in (136 mm)	4.76 in (121 mm)	1.46 in (37 mm)	2.28 in (58 mm)	7.32 in (186 mm)	14.92 in (379 mm)	16.65 in (423 mm)

* Please reference Overhead Weighing Safety Guide for lift and weigh feature.

SALES AND TECHNICAL ASSISTANCE

RICE LAKE
WEIGHING SYSTEMS

HEADQUARTERS
230 West Coleman Street
Rice Lake, Wisconsin 54868 - USA
Tel: (715) 234 9171 | Fax: (715) 234 6967
www.ricelake.com