

MSI-4260M

PORT-A-WEIGH CRANE SCALE



RICE LAKE[®]
WEIGHING SYSTEMS

800-472-6703
www.ricelake.com

MSI-4260M

PORT-A-WEIGH CRANE SCALE

Where Weighing Meets Water

The MSI-4260M Port-a-Weigh crane scale is the most robust scale on the market for marine and industrial weighing, able to capture weight with $\pm 0.1\%$ accuracy with a standard 5,000lb capacity.

An IP66 aluminum enclosure stands up to moisture in marine and washdown environments. Sensitive electronic components are sealed off and well-protected, including the MSI-4260M's sleek and vibrant LCD display. Featuring programmable brightness control, the display ensures users have access to the weight data they need—in any light condition.

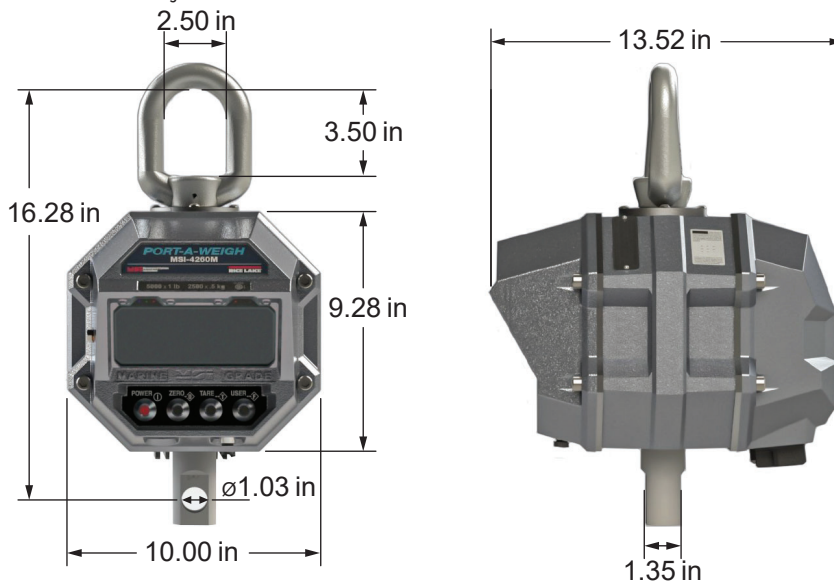
In highly regulated marine applications, meeting safety requirements is crucial. The NTEP-Certified MSI-4260M features a 200% Safe and 500% Ultimate Safety Factor, minimizing the risk of accidents from overloading.

The MSI-4260M is built to perform reliably for every catch with extended battery life up to 1,000 hours. A brightly lit battery display indicates when the unit is at 25%, 50%, 75% and full power. Timed auto-off and auto-sleep modes conserve power when the unit is not in use, meaning users are never surprised by a dead battery.

Choose equipment that works as hard as you do with the MSI-4260M crane scale, designed with dockside weighing in mind.

FEATURES

- IP66 cast aluminum
- Top lifting eye with lower link interface
- Five-digit, 1.75 in (44.5 mm) LCD with programmable brightness control
- Battery operated, six (6) D cell 1.5V alkaline batteries
- Meets or exceeds OSHA, ANSI, ASME and other safety design standards (5:1 Ultimate Safety Factor)
- NTEP Certified configuration



Your Rice Lake Weighing Systems distributor is:

OPTIONS

- Rugged remote control (control for On/Off, Zero, Tare and other functions)
- RF modem install for connectivity to MSI-8000, MSI-8000HD, MSI-8004HD, and LaserLight 2 remote display
- WiFi and Bluetooth® communication are available for specialty applications. (Contact MSI for application consultation)

SPECIFICATIONS

ACCURACY	$\pm (0.1\% + 1 \text{ d})$ of applied load
RESOLUTION	Max NTEP Approved Class III: 2,500 Divisions Max NTEP Approved Class III: 5,000 Divisions Max Non NTEP Approved: 10,000 Divisions
ENCLOSURE	IP66 cast aluminum
LIFTING EYE, LINK AND HOOK	Top lifting eye with lower link interface
DESIGN OVERLOAD	200% Safe / 500% Ultimate
FUNCTIONS	Power: Turns unit on or off Zero: Zeros applied load up to 100% of capacity (limited range in NTEP configurations) Tare: Tares applied load and displays weight in Net mode User: Programmable as test, total, unit, peak hold, net/gross, view total and print
DISPLAY	Five-digit, 1.75 in (44.5 mm) LCD with programmable brightness control
DISPLAYABLE UNITS	Pounds or kilograms selectable
ANNUNCIATORS	CO ₂ , Battery Level, Net, Total, lb/kg, Stability, RF and Setpoint LEDs
POWER	Battery operated, six (6) D cell 1.5 V alkaline batteries
OPERATING TIME	Up to 1,000 hours of battery life with typical use, less with RF Modem option
OPERATING TEMPERATURE	Legal for Trade: 14°F to 104°F (-10°C to 40°C) Operating: -20°F to 122°F (-28°C to 50°C)
AUTO-OFF MODE	Powers off after the scale is not used for the set time (in minutes); 15, 30, 45, 60 or OFF selectable
AUTO SLEEP MODE	Powers down during non-use after the set time (in minutes) and powers up with weight change or any key press; 5, 15, 30 or OFF selectable
SERVICE COUNTERS	Counts number of lifts over percentage of capacity and lifts over capacity
CALIBRATION	Digital (procedure initiated by calibration switch)
FILTERING	OFF, L0, HI-1 or HI-2 selectable
RADIO LINK	802.15.4 at 2.4 GHz
RADIO EFFECTIVE RANGE	Typically 100-300 ft line of sight
WARRANTY	One-year limited warranty

APPROVALS



COC - 19-122

RICE LAKE
WEIGHING SYSTEMS

230 W. Coleman St. • Rice Lake, WI 54868 • USA
TEL: 715-234-9171 • FAX: 715-234-6967 • www.ricelake.com

An ISO 9001 registered company • Specifications subject to change without notice.
© 2019 Rice Lake Weighing Systems PN 198371 12/19