

# PORTABLE BALANCE THAT SAVES ON SPACE WITHOUT COMPROMISING PERFORMANCE



EJ-2000



EJ-123



## Precise and Portable Weighing

The EJ Newton Series precision balances offer dependable weighing for a variety of applications. Built-in functions allow for advanced weighing procedures from density determination to piece counting and accumulation.

A small footprint and lightweight design make this an ideal solution for on-the-go weighing or when bench space is at a premium. Every EJ balance has the option to be battery operated and can last for up to 70 hours.

## KEY FEATURES:



External Calibration



GLP/GMP/ISO Compliant



Battery Operation



Piece Counting



Percent Weighing



Accumulation Function

## Specifications

Model	EJ-123	EJ-303	EJ-120	EJ-200	EJ-300	EJ-410	EJ-610	EJ-1202	EJ-3002	EJ-1500	EJ-2000	EJ-3000	EJ-4100	EJ-6100	
Weight capacity	120 g	310 g	120 g	210 g	310 g	410 g	610 g	1200 g	3100 g	1500 g	2100 g	3100 g	4100 g	6100 g	
Readability	0.001 g	0.001 g	0.01 g	0.01 g	0.01 g	0.01 g	0.01 g	0.01 g	0.01 g	0.1 g	0.1 g	0.1 g	0.1 g	0.1 g	
Repeatability (Std. deviation)	0.003 g	0.003 g	0.01 g	0.01 g	0.01 g	0.01 g	0.01 g	0.03 g	0.03 g	0.1 g	0.1 g	0.1 g	0.1 g	0.1 g	
Linearity	±0.003 g	±0.003 g	±0.01 g	±0.01 g	±0.02 g	±0.02 g	±0.02 g	±0.03 g	±0.03 g	±0.1 g	±0.1 g	±0.2 g	±0.2 g	±0.2 g	
Sensitivity drift	±20 ppm / °C (10°C-30°C / 50°F-86°F)														
No. of samples	5, 10, 25, 50 or 100 pieces														
Min. unit weight	0.001 g	0.01 g								0.1 g					
Min. % display	0.01%	0.1%													
Min. 100% weight	0.1 g	1 g								10 g					
Display	7 segment LCD display with backlight (Character height 16 mm)														
Display update	10 times per second														
Operating temp.	-10°C-30°C, less than 85% R.H. (non-condensing)														
Power supply	AC adapter (included) or 4 x "AA" size dry-cell batteries (Approximately 70 hours backlight off, alkaline batteries)														
Compliance	GLP / GMP / GCP / ISO														
Weighing pan size	110 mm Ø							127 mm x 140 mm			127 mm x 140 mm				
Weight	Approx. 1160 g		Approx. 850 g					Approx. 1490 g			Approx. 1100 g				
Calibration weight (factory setting)	100 g	300 g	100 g	200 g	300 g	400 g	600 g	1000 g	3000 g	1500 g	2000 g	3000 g	4000 g	6000 g	

Specifications subject to change without notice.

## Options & Accessories

### EJ-02C



USB interface with cable

### EJ-03



RS-232C interface

### EJ-07



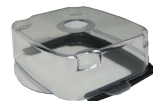
Underhook for EJ-3000 to EJ-6100 (except for EJ-3002)

### EJ-08



Underhook for EJ-1500, EJ-2000

### EJ-11



Breeze break (Draft Shield)

### EJ-12



Carrying case (except for EJ-123/EJ-303, EJ-1202/EJ-3002)

### EJ-13



Density determination kit for EJ-120/EJ-200/EJ-300 EJ-410/EJ-610

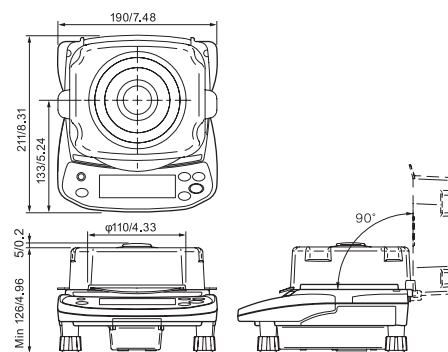
### AD-8127



Compact printer

## Dimensions (mm/inch)

### EJ-123/303



### EJ-1202/3002

