



CERTIFIED SCALE, INC.
INDUSTRIAL & LABORATORY WEIGHING SOLUTIONS

WWW.CERTIFIEDSCALE.COM | 262.781.9290



Uni-9 Series

PC-BASED PRICE COMPUTING SCALE

www.certifiedscale.com



Actual size Uni-9 Bench Model



Feast your eyes on the Uni-9 Series

The Uni-9 Series delivers the gourmet experience in retail weighing and wrapping through a large, vivid display and advanced communication all in a more compact design.



Shown with optional platter

Standard Features

- Dual-range weighing (0-15 x 0.005lb and 15-30 x 0.01 lb)
- PC-based scale operating system allows stores to use the scale browser to enter orders right from the scale, advertise throughout the store with video capabilities, and perform remote diagnostics and maintenance.
- Available in multiple configurations to best suit your store needs, including:

Bench

Short pole

Pole

Remote scale

Elevated

Self-service

Hanging

Bakery printer

Reduced
Operator Display

- Solid State Drive eliminates moving parts to increase the scale's life, consume less power, and speed up data access
- Customer display can play video on either 12.1 inch (800x600) or 7 inch (800x480), bench type only
- Wireless communication, 802.11 b/g
- Intra-net browsing capabilities for order entry, recipe lookup and more
- Fully compliant with RoHS regulations for a completely lead-free machine
- Compatible with third-party communication software, including ADC's InterScale and Invatron's PLUM

Options and Accessories

- Linerless Label Cassette helps reduce waste while nearly doubling the paper stock
- USB scanner
- Cash drawer
- Up to seven label cassettes allow quick label changing
- SD memory card stores transaction data, images and videos
- ScaleLink Pro-5 scale management software, including screen design, label design, data backup and remote diagnostics

MAY.22.2014 (THU) 13:37 1/2

0	NONE
1	United States
2	Canada
3	Mexico
4	Brazil
11	Australia
12	New Zealand
13	Chile
14	Argentina
21	Japan

SEARCH TEXT SEARCH JUMP

Country of Origin

IMAGE 1 MAY.22.2014 (THU) 13:38 2/4

No.	IMAGE	No.	IMAGE	No.	IMAGE	No.	IMAGE
36		45	STUPPED	54		63	
37		46	TRY ME! NEW ITEM	55		64	
38		47	Thank You	56	FRESH DAILY	65	
39		48	TODAY'S SPECIAL	57	Thin Sliced	66	
40		49		58	THICK SLICED	67	COUNTRY STYLE
41	REDUCED FOR QUICK SALE	50		59		68	pork
42		51		60	Family Pack rth	69	
43	SPECIAL PRICE	52	Wafer THIN	61		70	ISHIDA
44	TENDERIZED	53	100% USDA CHOICE	62		71	RICE LAKE RETAIL SOLUTIONS

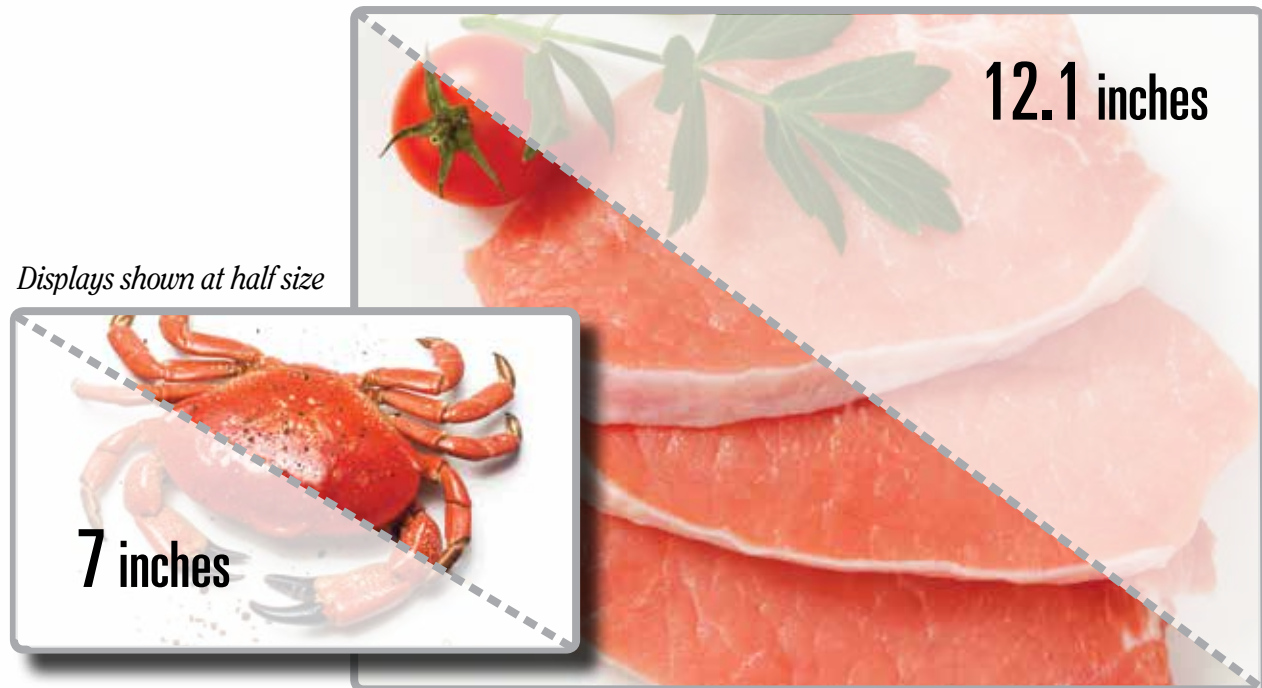
10 24 36 DETAIL

Image Library



Modern retail settings want more functionality in less space.

Retailers will appreciate the Uni-9's compact design that fits nicely on virtually any size counter, occupying a very small footprint. This PC-based touchscreen scale is available with a seven- or 12-inch LED backlit customer display for stunning promotional images and videos. The PC-based technology together with a crystal-sharp LED display provide more marketing capabilities such as video with sound and product pairing. In addition, more behind-the-counter functions such as store intranet access through a browser, recipe lookup, order entry and training videos reduce the need for additional PCs in all departments.



*Customer side display featuring
an in-store promotion.*

Up to seven different printer cassettes

Once a cassette is installed, the Uni-9 automatically detects correct label format settings, eliminating setup time when changing product. An optional liner-less cassette uses no backing paper, doubling the usable paper amount with less waste, keeping operations green and uninterrupted longer.





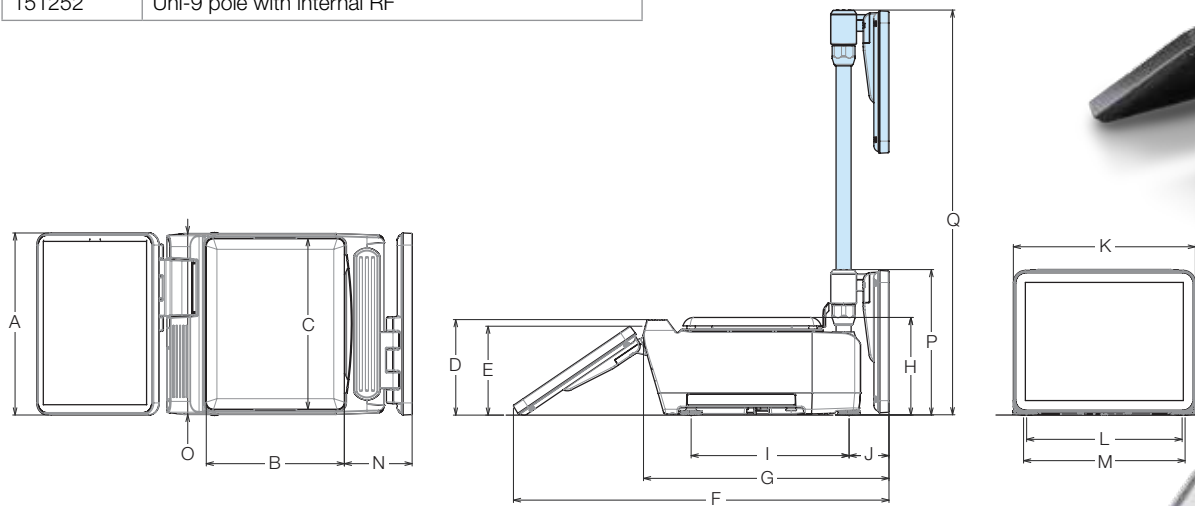
Technology means convenience

Network connectivity allows for remote scale management and updates. A frequent-seller feature determines popular items and strategically places them on the user's screen for added convenience and efficiency. Operators will especially find the universal interface of the Uni-9 easy to navigate from any department.

Uni-9 Short Pole Scale/Pole Scale

The pole and short pole models' low-profile base combined with larger display screens is optimal for keeping eye contact with customers and still providing an ergonomic setup for employees. The short pole model is for use on the countertop, providing a 12-inch display for customer view while offsetting an easy-to-use touchscreen display behind the counter. The pole scale model is used behind the counter, providing a raised customer display above the countertop.

PART #	MODEL
151251	Uni-9 short pole with internal RF
151252	Uni-9 pole with internal RF



DIMENSIONS SHORT POLE			
A	11.9 in (302 mm)	I	10.3 in (262 mm)
B	9.0 in (229 mm)	J	1.9 in (47 mm)
C	11.1 in (283 mm)	K	11.9 in (302 mm)
D	6.2 in (158.5 mm)	L	10.6 in (268 mm)
E	5.8 in (147.5 mm)	M	10.2 in (258 mm)
F	24.5 in (623 mm)	N	4.4 in (112.5 mm)
G	16.0 in (407 mm)	O	11.8 in (300 mm)
H	6.4 in (162 mm)	P	9.5 in (241.5 mm)

POLE	
Q	26.5 in (671.5 mm)



Shown with optional platter

Uni-9 RP Remote Platter

The Uni-9 RP is capable of weighing and wrapping nonstandard sizes and shapes when used in conjunction with a wrapping station. The Uni-9 RP is available in standard 30 lb capacity or optional 60 lb capacity. In addition to a larger capacity option, the Uni-9's PC-based technology allows the scale base to communicate with PCs via Ethernet or Wi-Fi, providing optimal workspace flexibility.

PART #	MODEL	CAPACITY
160264	Uni-9 RP scale with internal RF	15 lb x 0.005 lb/ 30 lb x 0.01 lb
160266	Uni-9 RP scale with internal RF	0-60 lb x 0.01 lb

Uni-9 Bench Scale

The Uni-9 bench scale is available with or without a seven-inch customer display and is ideal for both backroom and front counter operations. This Uni-9 model offers wireless remote operation allowing for more flexible placement of the scale.

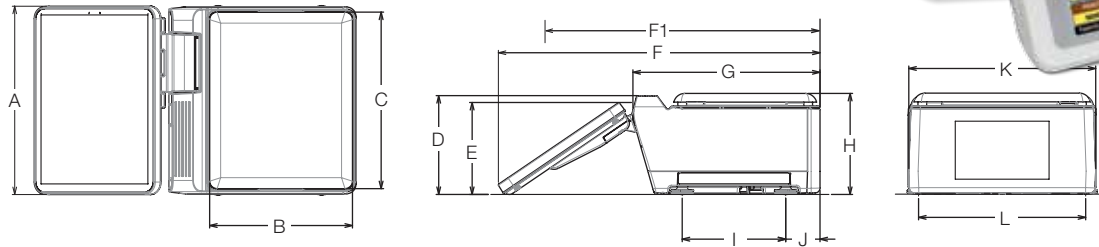
PART #	MODEL
151250	Uni-9 bench with internal RF
168873	Uni-9 DB bench with internal RF



Uni-9 DB



Uni-9 RP pictured with remote scale base and optional wrap station components.



DIMENSIONS BENCH		
A	11.9 in (302 mm)	E 5.8 in (147.5 mm)
B	9.0 in (229 mm)	F 20.3 in (516 mm)
C	11.1 in (283 mm)	G 11.8 in (300 mm)
D	6.2 in (158.5 mm)	H 6.4 in (162 mm)

DB MODEL	
F1	16.3 in (415 mm)



Standard Uni-9 scale base

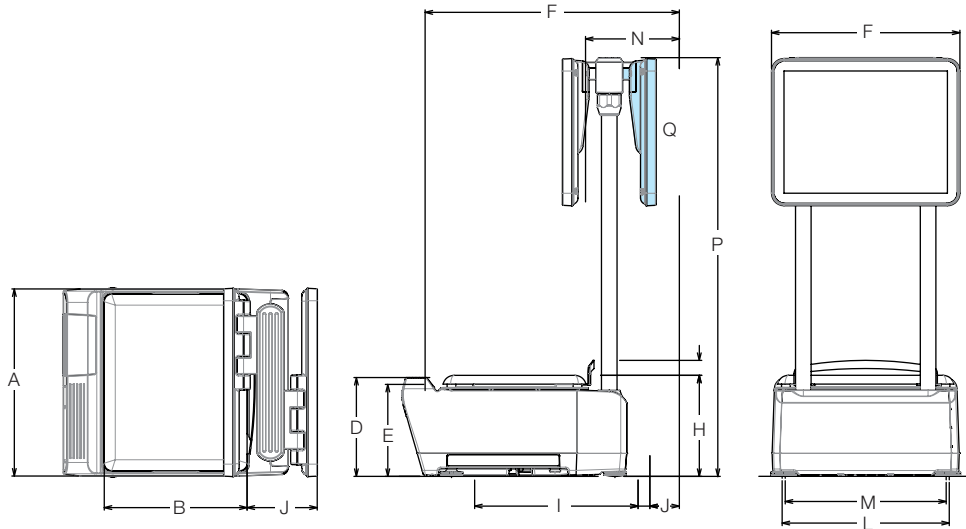
Uni-9 60-lb scale base available (optional)



Uni-9 Elevated Displays

The Uni-9's eye-level displays ensure operator focus remains on the customer. Interacting with the touchscreen can be accomplished while maintaining customer eye contact. The screens are adjustable to almost any angle, while the printer and scale base are conveniently mounted at workstation-level.

PART #	MODEL
Consult	Uni-9 elevated display keyboard



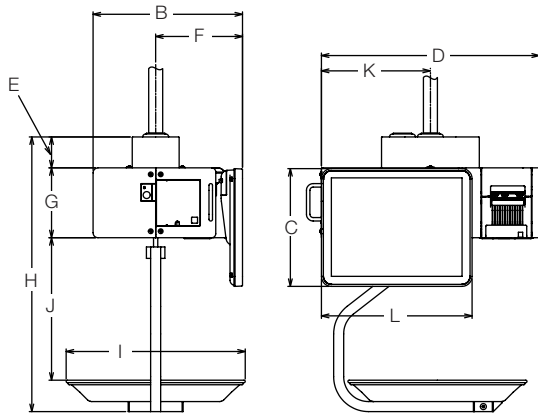
DIMENSIONS ELEVATED KEYBOARD					
A	11.8in (300mm)	H	6.4in (162mm)	M	10.2in (258mm)
B	9.0in (229mm)	I	10.3in (262mm)	N	5.9in (150mm)
D	6.2in (158.5mm)	J	1.9in (47mm)	P	26.4in (671.5mm)
E	5.8in (147.5mm)	K	11.9in (302mm)	Q	Customer Display
F	16.1in (408mm)	L	10.6in (268mm)		



Uni-9 Hanging Scale

The suspended ergonomic design of the Uni-9 hanging type follows quickly on the heels of the first color touchscreen hanging scale on the market, Ishida's Uni-7 hanging scale. Ideal for seafood and other high-moisture foods, the suspended design keeps product away from the operator touchscreen, which resounds with a beep when buttons are pressed. Customers and employees alike will find the large 12-inch display easy to read and use.

PART #	MODEL
155695	Uni-9 hanging scale with internal RF



DIMENSIONS			
A	10.7 in (271 mm)	G	5.5 in (140 mm)
B	11.8 in (300 mm)	H	21.7 in (550.5 mm)
C	9.3 in (236 mm)	I	14.1 in (359 mm)
D	17.2 in (437 mm)	J	11.2 in (285.5 mm)
E	2.4 in (62 mm)	K	8.6 in (218.5 mm)
F	6.9 in (174 mm)	L	11.9 in (302 mm)
MOUNTING SPECIFICATIONS			
Pipe: 1.10 in outside diameter			



Specifications (common to all models)

Capacity (Dual Range):

0-15 lb x 0.005 lb, 15-30 lb x 0.01 lb

Print Speed:

3.2 /3.9 /4.7 /5.9 in/sec
(80 /100 /120 /150 mm/sec)

Label Size:

Width: 1.2 in - 2.5 in (30mm - 64mm)
Length: 0.8 in - 7.9 in (20mm - 200mm)

Display:

Operator Side: 12 in (800 x 600) color touch panel
Customer Side: 7 in (800 x 480) or 12 in (800 x 600)
for bench, 12 in for other models
Type: Five-wire resistive

Display Items:

Tare: Four-digits
Unit price: Six-digits
Weight: Five-digits
Total price: Six-digits

Memory:

SSD memory 250MB

Communications:

Static TCP/IP 1G Base T Ethernet (auto-duplex)
Wireless WEP/WPA/WPA2

Input/Output:

LAN 1 channel
USB 4 channel
SD 1 channel (SDHC: MAX 4 GB)
(for transaction data)
Drawer 1 channels
*Barcode Scanner: Ethernet

Operating Voltage:

Range: 100-240V, 50/60 Hz
Permissible Tolerance: +/- 10%

Operating Environment:

32°F to 104°F (0°C to 40°C)
20-85% relative humidity

Power Supply:

AC100-240V, 50/60 Hz

Power Consumption:

Stand-by: 50W,
In operation: 120W

Classification:

NTEP CC 12-121
UL listed

Warranty:

One-year limited warranty

Approvals:





CERTIFIED SCALE, INC.
INDUSTRIAL & LABORATORY WEIGHING SOLUTIONS

WWW.CERTIFIEDSCALE.COM | 262.781.9290

Certified Scale Inc.
N57 W13640 Carmen Avenue
Menomonee Falls, WI 53051 • USA
TEL: 262.781.9290
FAX: 262.781.1867

www.certifiedscale.com



SALES / PLU 0

APR.09.2014 (WED) 16:58

CHECK THE WEIGHT BEFORE PRODUCTION.
ENTER PLU No. AND PRESS [PLU] KEY.

TARE	lb	ZERO	WEIGHT	lb	UNIT PRICE	\$/lb	TOTAL PRICE	\$
0.000			0.385		0.00		0.00	



ASPARAGUS



GREEN BEANS



BANANAS



BING CHERRIES



GRANNY SMITH APPLES

VEGETABLES

LEAF
LETTUCE

CITRUS
FRUITS

APPLES



Navigation and function buttons: <, TARE, U/P, FIX, →0←, FEED, LABEL BATCH, PLU, CALCULATOR, C, SEARCH, SUBTOTAL, and numeric keypad (0-9, 00).

Capacity 0-15lb x 0.005lb 15-30lb x 0.01lb

