

DIGI DSX-1000

PRECISION CHECKWEIGHER



RICE LAKE[®]
WEIGHING SYSTEMS

800-472-6703
www.ricelake.com

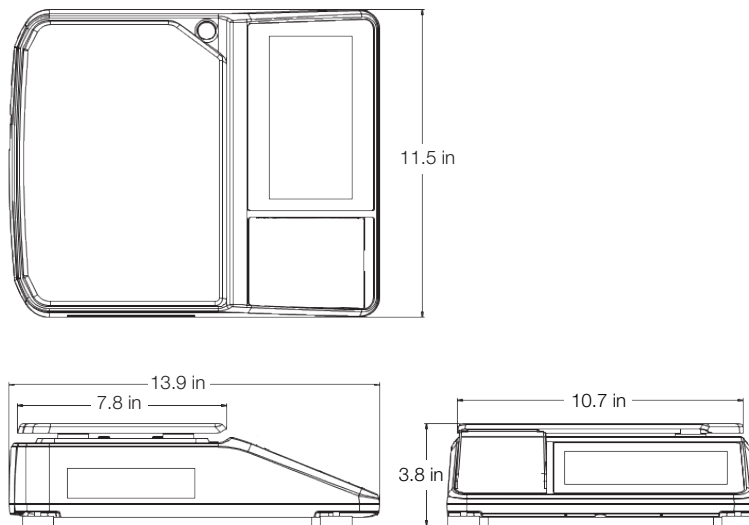
DIGI DSX-1000

PRECISION CHECKWEIGHER



Easy-to-Use Precision Checkweighing

The DIGI DSX-1000 precision checkweigher is a digital scale system that features integrated indicator lights and an audible alarm to alert operators of over or under weights. The DIGI DSX-1000 automatically checks the loaded weight on its 10.7 x 7.8 in (270.9 x 198.4 mm) weighing platter against a preset upper and lower limit. The scale's built-in, full-color touchscreen display features six digits and an easy-to-use interface within a splash-proof housing. The DIGI DSX-1000 also includes a standard RS-232 interface.



Standard Features

- Checkweigher indicator lights and audible alarm
- 10.7 x 7.8 in (270.9 x 198.4 mm) weighing platter
- Splash-proof housing
- RS-232 communications for peripheral equipment interface

Specifications

Dimensions:	10.7 x 7.8 in (270.9 x 198.4 mm) weighing platter
Display:	7 in (177.8 mm) full-color touchscreen with 6 digits
Status Annunciators:	Audible alarm and indicator lights for LOW, OK and HIGH
Power:	100V~240V
Power Consumption:	22W
Communications:	RS-232
Operating Temperature:	14°F to 104°F (-10°C to 40°C)
Operating Humidity:	15%~85% relative humidity
Internal Resolution:	300,000 counts
Warranty:	Two-year limited warranty

Approvals:



Your Rice Lake Weighing Systems distributor is:

RICE LAKE
WEIGHING SYSTEMS

230 W. Coleman St. • Rice Lake, WI 54868 • USA
TEL: 715-234-9171 • FAX: 715-234-6967 • www.ricelake.com

An ISO 9001 registered company © 2017 Rice Lake Weighing Systems PN 184452 8/17
Specifications subject to change without notice.