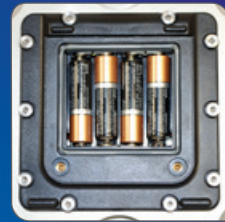




High-visibility 1.2" (30mm) LCD Display



Battery Operated
4 AA batteries provide up to 500 hrs of use



TWN Handheld Indicator with on-board data management features

TM SERIES

Tension Meter

The CAS TM Series digital dynamometer scale is a cost effective solution for simple to complex force measurement and overhead weighing applications.

- Easy to Use
- Easy to Read
- Accurate
- Durable
- Unquestionably Safe



TM Series ▶



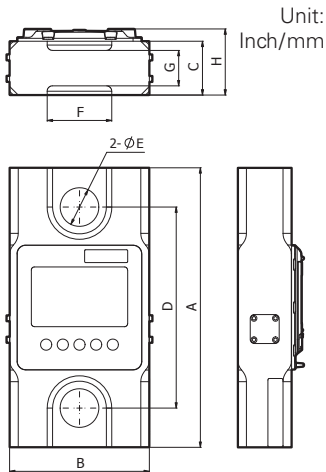
www.cas-usa.com



ZigBee®

TM Series | Tension Meter

The CAS TM Series Tension Meter is a new addition to the popular CAS line of crane scales. The battery operated TM Series includes an internal antenna and on-board, easy to read 1.2" LCD display. For more demanding applications, the TWN Portable Handheld Indicator with ZigBee® wireless communication is available. Industry standard Crosby shackles and a communications cable connector are included with each TM Series Tension Meter. Crosby hooks are optional.



Model	1K	2K	5K	10K
A	8.7/220	8.7/220	8.7/220	10.2/260
B	4.7/120	4.7/120	5/128	5.1/130
C	1.6/42	1.6/42	1.6/42	2/50
D	6.5/165	6.5/165	6.5/165	7.4/187
E	.8/21	.8/21	.8/21	1.1/28
F	1.7/44	1.7/44	1.7/44	2.4/60
G	.9/24	.9/24	.9/24	1.3/33
H	2.1/53	2.1/53	2.1/53	2.4/61
Crosby Shackle	G-2130 5/8"		G-2130 7/8"	
Shackle Weight (Pair)	2.7/1.24		7.9/3.58	
Crosby Hook				

TWN Handheld Indicator

Add the optional TWN Handheld Indicator to take advantage of the ZigBee® wireless functions of the TM Series Tension Meter.

- Light weight, durable & portable
- Easy to see - simple to operate
- Built-in Rechargeable Battery
- Wireless Connectivity
- Increased Functionality
- Sun Visor



This portable handheld indicator is both durable and functional. The TWN's design incorporates a built-in rechargeable battery and offers ZigBee® wireless communication that enable transmissions in excess of 300 feet/100 meters!

The CAS TWN Handheld Indicator utilizes a high contrast, 320 x 240 TFT LCD display with a screen visor and an alphanumeric function style keypad housed in a light weight protective enclosure.



99 Murray Hill Parkway
East Rutherford, NJ 07073
TEL: (201) 933-9002
FAX: (201) 933-9025
<http://www.cas-usa.com>

Specifications are subject to change for improvement without prior notice.

TM Series Tension Meter					
Models		TMZ-1000LBS	TMZ-2000LBS	TMZ-5000LBS	TMZ-10000LBS
	Lbs	1,000 X 1 lb	2,000 X 2 lbs	5,000 X 5 lbs	10,000 x 10 lbs
	Kg	500 x 0.5 kg	1,000 x 1 kg	3,000 x 2 kg	5,000 x 5 kg
Accuracy	+/- 0.1% of applied load or +/- 1 graduation size (whichever is greater)				
Units	kg, lb, N, kN, daN, ton				
Display	5 Digit LCD Display / 1.2 inches (30mm)				
Display Designators	Zero, Tare, Hold, Batt				
Safety Factor	300% of Rated Capacity				
Construction	Aluminum / IP65 Rated				
Communication	Standard	RS-232C / RS-485 / Setpoints (3 points)			
	Wireless	ZigBee® with TWN Portable Handheld Indicator			
Power	4 AA size 1.5V alkaline batteries (Included) / 0.3-0.5W				
Battery Operating Time	Approx 500 hrs/Wireless: Approx 44 hours				
Power Consumption	1.2 W				
Operating Temp	-20°C ~ 60°C / -4°F ~ 140°F				
Product Weight	5.1 lbs	5.1 lbs	5.5 lbs	7.3 lbs	
Warranty	2 Years				

For data management needs, the CAS TWN is supplied with enough on-board memory for 100 items and 5,000 transactions (including time, date, and gross weight). A wireless or wired printer can be used or simply utilize the USB to PC connection to upload/download item number, item name, and header text to a connected PC. Increased data management capabilities are also available with the addition of CAS TW-Works PC software.

TWN Portable Handheld Indicator	
Communication Type	ZigBee®
Communication Rate	9,600 bps
Communication Distance	Max: 300ft/100m
Display	High contrast 320 x 240 TFT LCD
Enclosure	Light weight industrial grade NEMA 4/IP65
Memory	100 items/5,000 transactions incl time/date/gross wt
Battery Charging Time	Approx 5-6 hrs
Options	Wireless or Wired Printer
Power	DC 3.6V 4,400mA rechargeable battery DC 4.2V adapter
Operating Temp	-10°C ~ +40°C / 14°F ~ 104°F
Interface	USB : PC connection RS-232C : Mobile printer connection
Dimensions	4.1 (W) x 8 (H) x 2.9 (D) - Inches 104.7 (W) x 204 (H) x 74.3 (D) - MM
Product Weight	1.1 lbs/0.5 kg