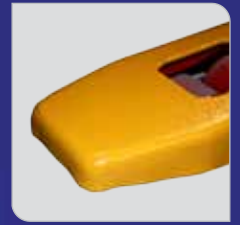




Ergonomic Loop Handle



Non-marking
Polyurethane Steer &
Load Wheels



Tapered Forks

CPS SERIES

Pallet Jack Scale

The ideal solution for commercially approved or general industrial mobile weighing

- Heavy duty construction - ***Designed and Built to Last***
- Portable - Easy to Read, Easy to Use
- Ergonomically designed for optimum maneuverability
- Versatile - choose from numerous full-featured options such as unit switching, counting, printing, and accumulation capabilities
- Long lasting battery life



◀ CPS Plus



CPS-1/CPS-2 ▶



CAS

www.cas-usa.com

CPS SERIES | Pallet Jack Scale

FEATURES

Three models available...

Versatility - The CAS CPS Series Pallet Jack Scales allow you to choose from the industry standard, rugged, commercially approved CPS-1 & 2 pallet jack scales to the full featured, economical CPS Plus model.

- Heavy duty construction - Designed and built to last
- Four shear beam load cells provide stability, durability, & accuracy
- Easy to use - Optimum maneuverability
- Lift loads easily with hydraulic lift pump assembly
- Easy to read - Large 1" high intensity backlit LCD display
- Long lasting rechargeable battery / Programmable SLEEP mode
- Configurable features and options such as gross/net, tare, auto tare, digital tare (CPS Plus only), units switching, counting, printing, and accumulation are available by model
- Two storage boxes available on CPS Plus - perfect for manuals, tools, etc.



CPS 1/2



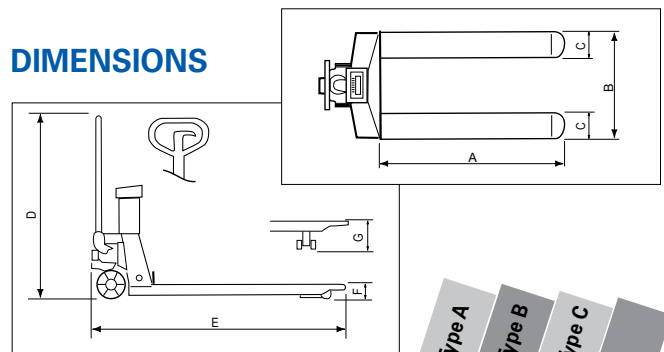
CPS Plus



CPS Plus

Model	CPS-1N	CPS-2N	CPS Plus
Lb/kg Switchable	●	●	●
Gross/Net	●	●	●
Counting			●
Accumulation	●	●	●
Time & Date	●	●	
Weight Back Up	●	●	●
On-board Printer	●	●	
Rechargeable Battery w/Charger	●	●	●
4 Load Cell Construction	●	●	●
Digital Filtering (Adjustable)	●	●	●
NTEP Legal for Trade - COC # 09-003	●	●	

DIMENSIONS



SPECIFICATIONS

Model	CPS-1N	CPS-2N	CPS Plus
Weighing Capacity	lb	3,000 x 1 lb	5,000 x 2 lbs
	kg	1,000 x 0.5 kg	2,000 x 1 kg
Approvals	NTEP/Commercially Approved	NTEP/Commercially Approved	Non-Commercial
Accuracy	0.1% - 0 ~ Full Capacity		
Display Digit	5 Digit 0.984" inch LCD		5 Digit 1" inch LCD
Keys	6 Button Keypad Zero, Tare, Gross/Net, Kg/Lb, Print, Power		10 Numeric Keys 2 Function Keys, Clear, Enter, Power
Power Source	Rechargeable Battery, 6V (Charger Included)		Rechargeable 6V/10A PB Battery (AC 110V/220V Charger)
Operating Time	24 to 48 hours depending upon option use and configuration settings		Up to 100 hours continuous usage - adjustable
Operating Temp	-10°C ~ 40°C / 14°F ~ 104°F		
Product Weight	315 lbs / 143 kg	315 lbs / 143 kg	307 lbs / 139 kg

	CPS -1/2 Type A	CPS -1/2 Type B	CPS -1/2 Type C	CPS Plus
A	45	45	45	45
B	21.3	24.4	27.8	27.8
C	6.7	6.7	6.7	6.7
D	47.2	47.2	47.2	47.2
E	61	61	61	61
F	3.1	3.1	3.1	3.1
G	7.5	7.5	7.5	7.5

Note: All measurements are in inches
CPS-1/2 Type A & B are special order



99 Murray Hill Parkway
East Rutherford, NJ 07073
Toll Free: (800) 223-4227
Tel: (201) 933-9002
Fax: (201) 933-9025
<http://www.cas-usa.com>

Specifications are subject to change for improvement without prior notice.